



MODEL: 622  
 RECESSED MOUNTED, STEEL  
 MEDICINE CABINET



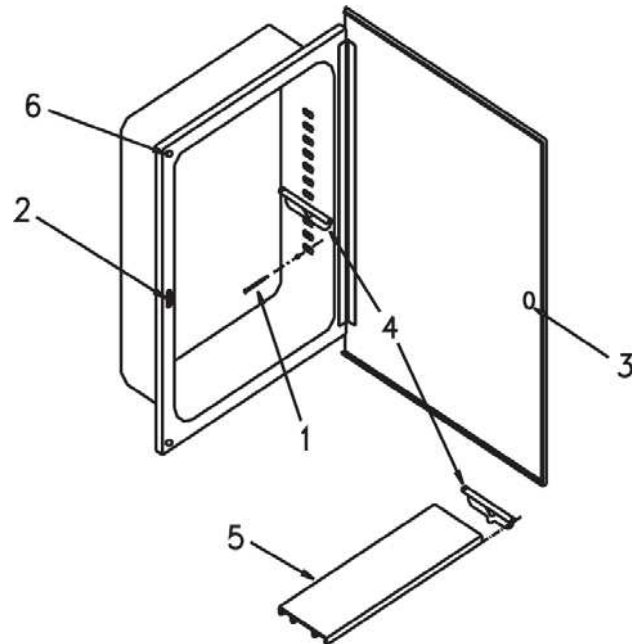
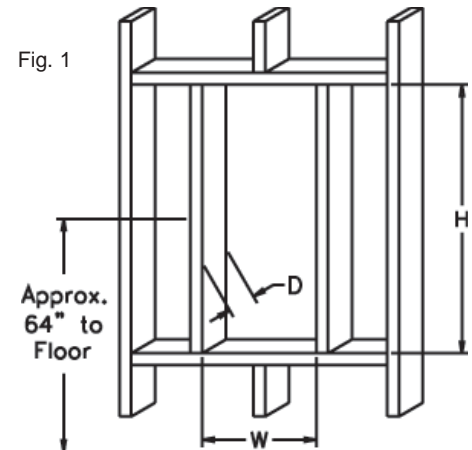
## INSTALLATION INSTRUCTIONS

	W	H	D
Wall Opening	14	18	3 <sup>3</sup> / <sub>4</sub>
Overall Size	16 <sup>1</sup> / <sub>4</sub>	21 <sup>7</sup> / <sub>16</sub>	

To register this product, visit [www.broan.com](http://www.broan.com)

### INSTALLATION

- Carefully remove all packing material. Place shelves and hardware package aside until needed.
- Determine desired location of cabinet on wall. Mark wall to show wall opening size (see dimension chart). Generally, the recommended height to the center of the cabinet is 64" from the floor. Fig. 1
- Cut wall opening, being careful not to damage the surrounding wall surface. Wall studs, plumbing or electrical lines that interfere must be removed or relocated. Insert framing to support all plaster board edges.
- Insert cabinet into wall opening in plumb and centered position. Use a carpenter's level and shim corners of cabinet if necessary. Secure to wall studs through the 4 mounting holes inside cabinet (screws provided).
- Place shelf brackets at desired height. Place shelves on brackets.



### SERVICE PARTS

KEY NO.	PART NO.	DESCRIPTION
1	97013998	Mounting Screw, #8 x 1 <sup>1</sup> / <sub>2</sub> *(4 req.)
2	7106	Magnet
3	A97015555	Door Strike Assm.
4	3330	Shelf Bracket (4 req.)
5	7005	Shelf (2 req.)
6	7189	Bumper (2 req.)

\* Standard hardware - may be purchased locally.  
 Order replacement parts by "PART NO." - NOT by "KEY NO."

### BROAN-NUTONE ONE YEAR LIMITED WARRANTY

Broan-NuTone warrants to the original consumer purchaser of its product that such products will be free from defects in materials or workmanship for a period of one year from the date of original purchase.

THERE ARE NO OTHER WARRANTIES, EXPRESS OR IMPLIED, INCLUDING, BUT NOT LIMITED TO, IMPLIED WARRANTIES OF MERCHANTABILITY OR FITNESS FOR A PARTICULAR PURPOSE.

During this one-year period, Broan-NuTone will, at its option, repair or replace, without charge, any product or part which is found to be defective under normal use and service. THIS WARRANTY DOES NOT EXTEND TO FLUORESCENT LAMP STARTERS AND TUBES. This warranty does not cover (a) normal maintenance and service or (b) any product or parts which have been subject to misuse, negligence, accident, improper maintenance or repair (other than by Broan-NuTone), faulty installation or installation contrary to recommended installation instructions.

The duration of any implied warranty is limited to the one-year period as specified for the express warranty. Some states do not allow limitation on how long an implied warranty lasts, so the above limitation may not apply to you.

BROAN-NUTONE'S OBLIGATION TO REPAIR OR REPLACE, AT BROAN-NUTONE'S OPTION, SHALL BE THE PURCHASER'S SOLE AND EXCLUSIVE REMEDY UNDER THIS WARRANTY. BROAN-NUTONE SHALL NOT BE LIABLE FOR INCIDENTAL, CONSEQUENTIAL OR SPECIAL DAMAGES ARISING OUT OF OR IN CONNECTION WITH PRODUCT USE OR PERFORMANCE.

Some states do not allow the exclusion or limitation of incidental or consequential damages, so the above limitation or exclusion may not apply to you.

This warranty gives you specific legal rights, and you may also have other rights, which vary from state to state. This warranty supersedes all prior warranties.

To qualify for warranty service, you must (a) notify Broan-NuTone at the address or telephone number stated below, (b) give the model number and part identification and (c) describe the nature of any defect in the product or part. At all time of requesting warranty service, you must present evidence of the original purchase date.